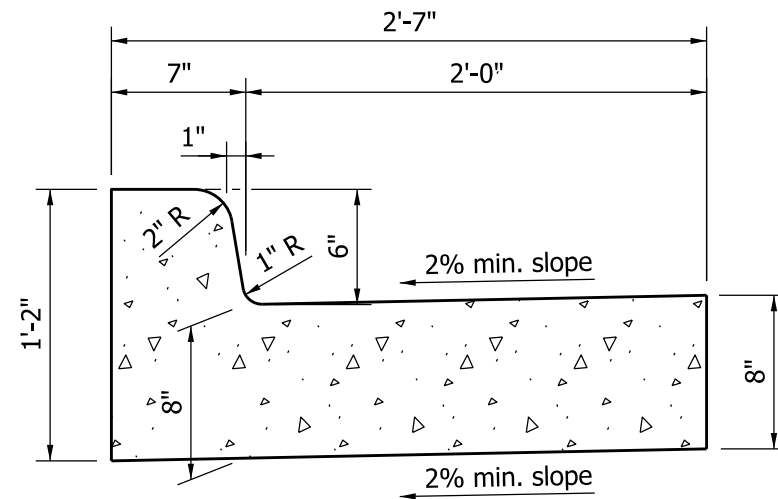
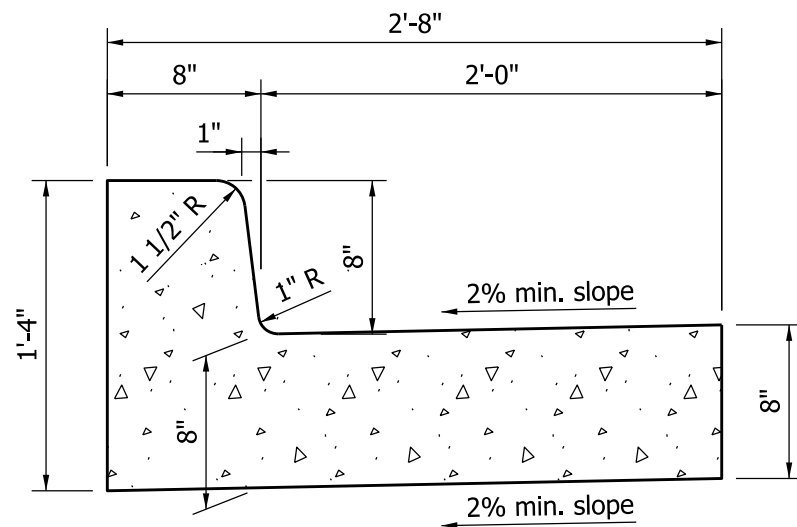


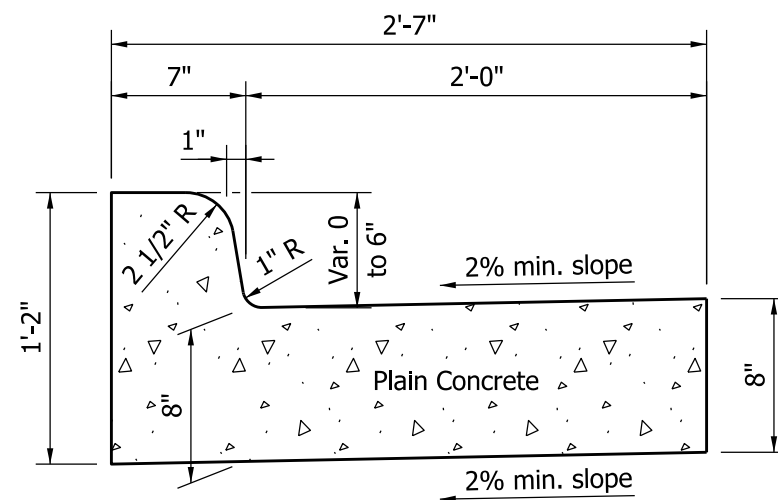
**COMBINED CONCRETE CURB  
AND GUTTER, TYPE B  
(SLOPING)**



**COMBINED CONCRETE CURB  
AND GUTTER  
(VERTICAL)**



**COMBINED CONCRETE CURB  
AND GUTTER, TYPE C  
(VERTICAL)**



**MONOLITHIC CURB  
(VERTICAL)**

INDIANA DEPARTMENT OF TRANSPORTATION	
COMBINED CONCRETE CURB AND GUTTER	
SEPTEMBER 2011	
STANDARD DRAWING NO.	E 605-CCCG-01
	/s/ <i>Richard L. VanCleave</i> 09/01/11
	DESIGN STANDARDS ENGINEER      DATE
	/s/ <i>Mark A. Miller</i> 09/01/11
DESIGN STANDARDS ENGINEER	CHIEF HIGHWAY ENGINEER      DATE